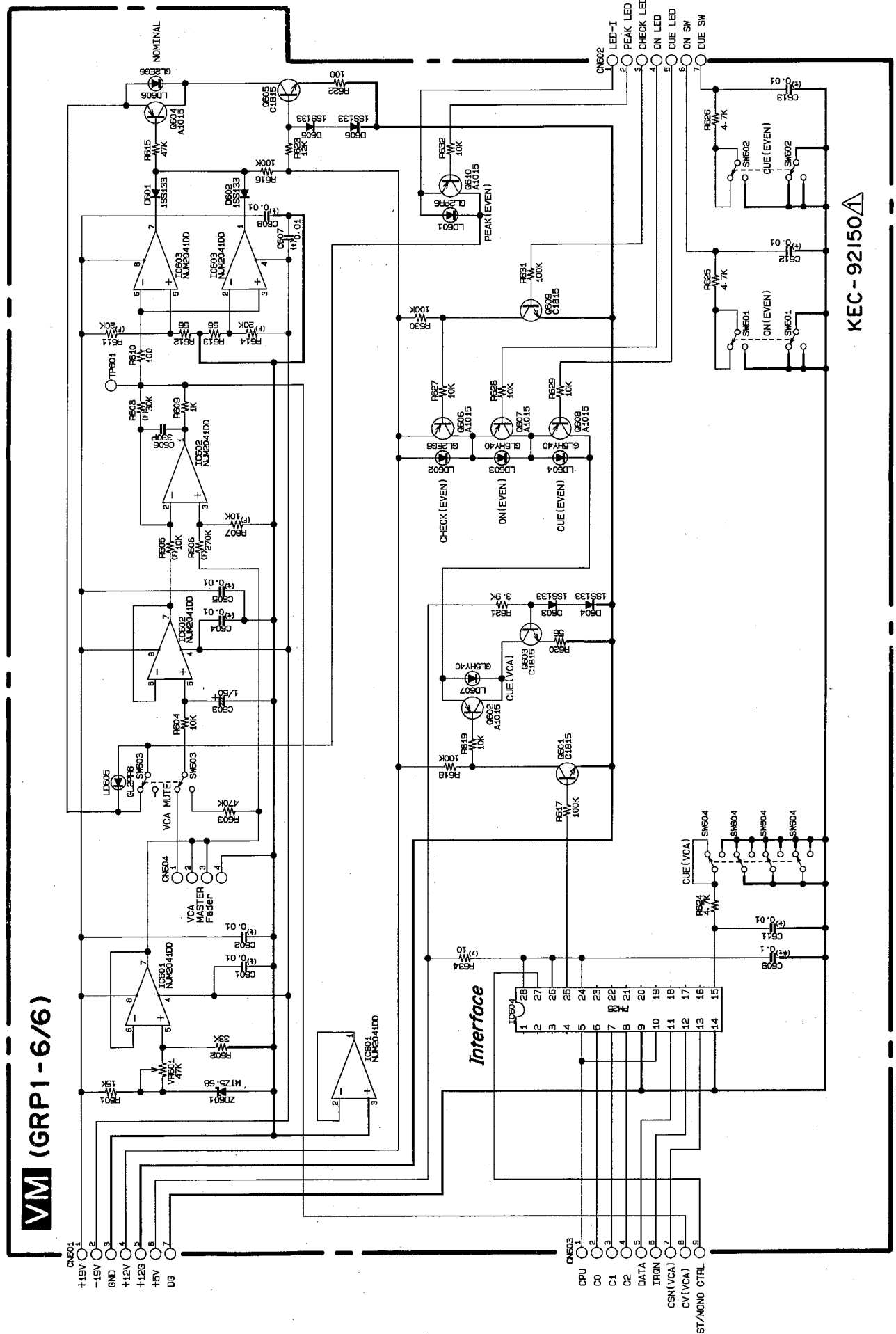


VM (GRP1-6/6) CIRCUIT DIAGRAM



VM (GRP1-6/6)

KEC-92150

2
3
4
5
6